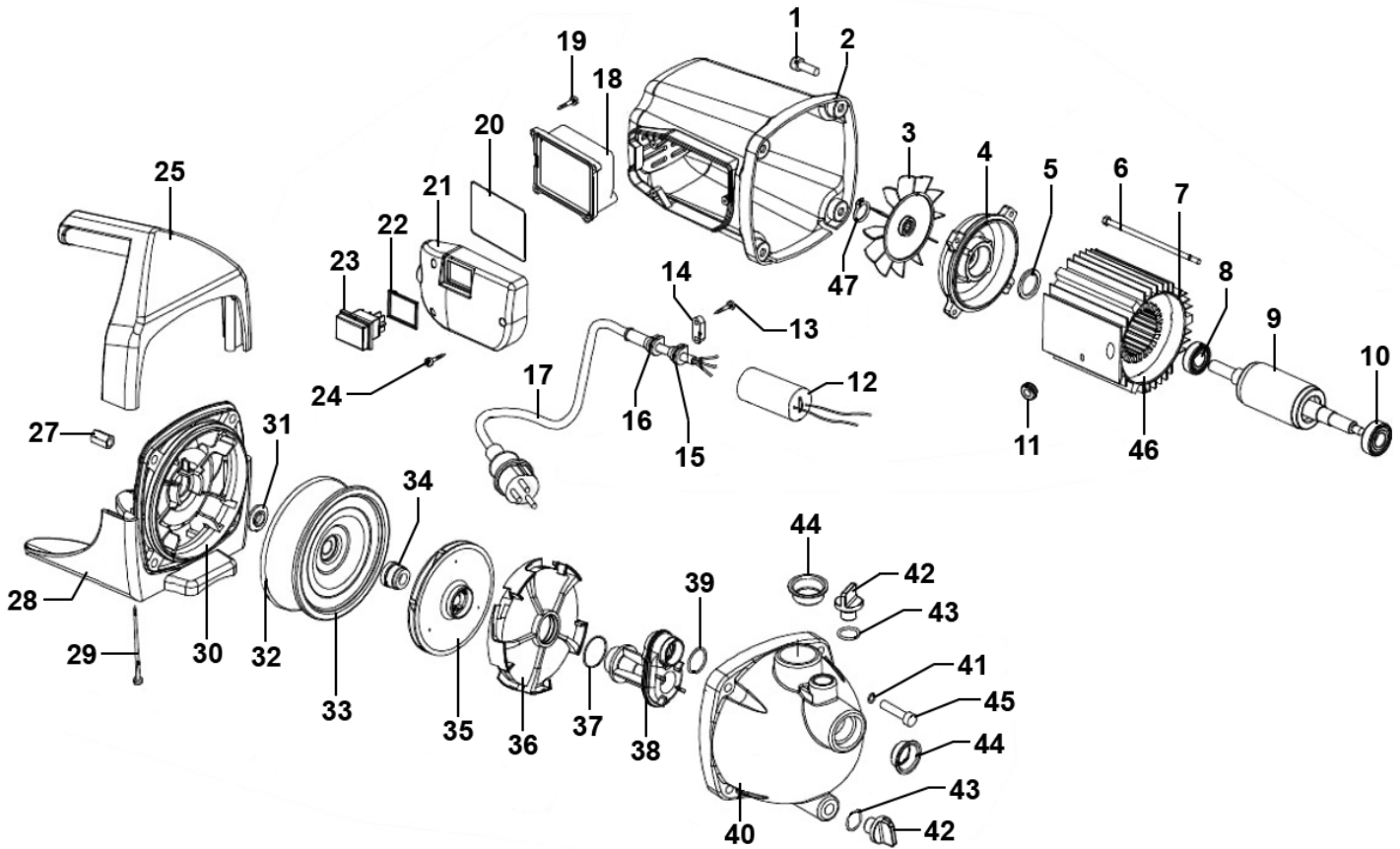


Parts Information:
Surface Mounting Water Pump 53L/min
230V
Model No: WPS060.V2



Item	Part No.	Description
1	SCB812.S	Socket Cap Bolt M8 x 12mm
2	WPS060.V2-02	Motor Cover
3	WPS060.V2-03	Fan
4	WPS060.V2-04	Rear Cover
5	WPS060.V2-05	Wave Washer
6	WPS060.V2-06	Bolt M5x125
7	WPS060.V2-07	Aluminium Casing
8	B/6201ZZ	Bearing 6201zz
9	WPS060.V2-09	Rotor
10	B/6202ZZ	Bearing 6202zz
11	WPS060.V2-11	Wire Sheath
12	WPS060.V2-12	Capacitor (16uf)
13	SM355B.01	Rd Head S/T Screw M3,8 X 16
14	WPS060.V2-14	Cable Grip
15	WPS060.V2-15	Cable Sheath
16	WPS060.V2-16	Cable Sheath
17	WP08703004	Power Cable

Item	Part No.	Description
18	WPS060.V2-18	Waterproof Cover Cap
19	WPS060.V2-19	Tapping Screw
20	WPS060.V2-20	O-Ring, (Ex: 82.31 In: 77.51 Cs: 2.40)
21	WPS060.V2-21	Side Cover
22	WPS060.V2-22	Sealing Washer
23	WPS060.V2-23	Switch (Waterproof IP55) Red Rocker C/w Cover
24	WPS060.V2-24	Rd Head S/T Screw M3.4 X 20
25	WPS060.V2-25	Handle
27	WPS060.V2-27	Studding Connector
28	WPS060.V2-28	Base
29	WPS060.V2-29	Rd Head S/T Screw M4 X 113
30	WPS060.V2-30	Front Cover
31	WPS060.V2-31	Bushing
32	WPS060.V2-32	O-Ring, (Ex: 140 In: 132.94 Cs: 3.53)
33	WPS060.V2-33	Sealing Pad
34	WPS060.V2-34	Mechanical Seal

NOTE: It is our policy to continually improve products and as such we reserve the right to alter data, specifications and component parts without prior notice. There may be alternative versions of this product, please contact us should you require this information.

IMPORTANT: No liability is accepted for incorrect use of product. Spare parts must be fitted by a competent person

WARRANTY: Guarantee is 12 months from purchase date, proof of which will be required for any claim.



Parts Information:
**Surface Mounting Water Pump 53L/min
230V
Model No: WPS060.V2**

Item	Part No.	Description
35	WPS060.V2-35	Impeller
36	WPS060.V2-36	Diffuser Plate Kit
37	WPS060.V2-37	O-Ring, (Ex: 31.88 In: 26.64 Cs: 2.62)
38	WPS060.V2-38	Diffuser
39	WPS060.V2-39	O-Ring, (Ex: 31.73 In: 25.97 Cs: 2.88)
40	WPS060.V2-40	Pump Head
41	FWM8.S	Flat Washer M8 Zinc

Item	Part No.	Description
42	WPS060.V2-42	Valve Cover
43	WPS060.V2-43	O-Ring, (Ex: 19.35 In: 12.29 Cs: 3.53)
44	WPS060.V2-44	Dust Cover
45	WP70835	Screw M8x35
46	WPS060.V2-46	Stator
47	RE231.V3-06	Ext Circlip 13.6mm OD.
--	WP01801013	Outlet Elbow Connector (Not Shown)

NOTE: It is our policy to continually improve products and as such we reserve the right to alter data, specifications and component parts without prior notice. There may be alternative versions of this product, please contact us should you require this information.

IMPORTANT: No liability is accepted for incorrect use of product. Spare parts must be fitted by a competent person

WARRANTY: Guarantee is 12 months from purchase date, proof of which will be required for any claim.

Sealey Group, Kempson Way, Suffolk Business Park, Bury St Edmunds, Suffolk. IP32 7AR



01284 757500



01284 703534



sales@sealey.co.uk



www.sealey.co.uk